

Two - Handle Kitchen Faucet

Product Spec Sheet



FEATURES & BENEFITS

GLL-205C
Chrome Finish

- This Product Contains Less Than 0.25% Weighted Average Lead Content On Wetted Surfaces
- Metal Lever Handle
- Washerless Cartridge
- Max Flow Rate 1.5 GPM (5.7L/Min) At 60 PSI (ASME A112.18.1/A112.18.1)

Approvals:

Meets or Exceeds The Following:

- * ANSI/ASME A112.18.1/A112.18.1
- * NSF/ANSI 61 - Sec. 9
- * NSF/ANSI 372
- * IAPMO/cUPC
- * CA AB1953
- * ADA Compliant
- * NSF/ANSI/CAN 61: Q ≤ 1



TEL: 888-649-0605

FAX: 877-892-1950

Visit Our Web Site : www.gemlinefaucets.com

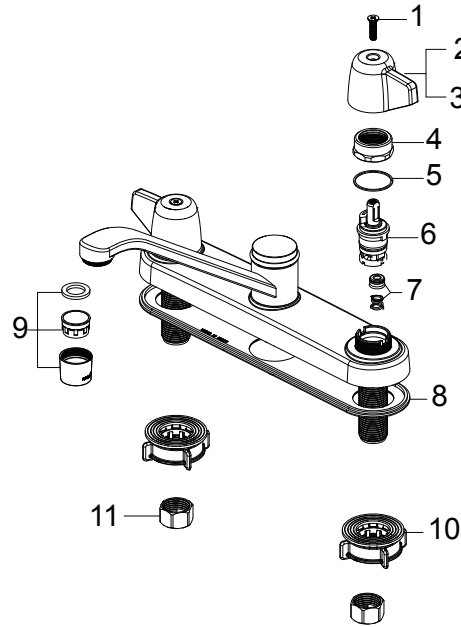
Two - Handle Kitchen Faucet

No. Name

- 1 Screw / Tornillo
- 2 Handle H / Llave H
- 3 Handle C / Llave C
- 4 Bonnet / Bonete
- 5 Washer / Arandela
- 6 Cartridge / Cartucho
- 7 Seat & Spring / Base y resorte
- 8 Gasket / Junta
- 9 Aerator / Aireado
- 10 Easy install nut / Tuerca fácil de instalar
- 11 Coupling nut / Tuerca de acoplamiento

Part No.

- RP50210
- RP13765*
- RP13766*
- RP70678
- RP64124
- RP22010
- RP22008
- RP70330
- RP30067*
- RP56095
- RP56002



* Specify Finish
* Especificque el Acabado

Product Spec Sheet

